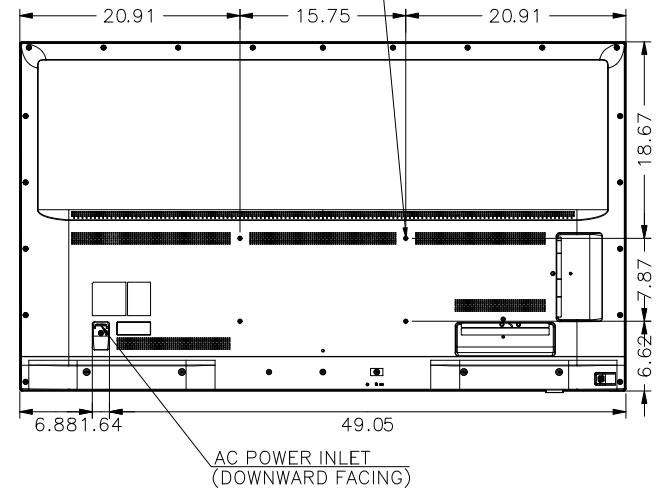


400mm x 200mm VESA Hole Pattern
FOR MOUNT UNIT (M6 x 17mm)



THE INFORMATION AND DESIGNS CONTAINED
IN THIS DRAWING ARE CONFIDENTIAL AND THE
PROPRIETARY PROPERTY OF NEC DISPLAY SOLUTIONS.
NEITHER THIS DESIGN NOR ANY INFORMATION
CONTAINED IN THIS DRAWING MAY BE
REPRODUCED OR DISCLOSED TO OTHERS
WITHOUT THE EXPRESS WRITTEN CONSENT OF
NEC DISPLAY SOLUTIONS.
DISTANCES MAY VARY UP TO 5%.

Model: E657Q

Scale: 1:1

Unit: Inches

NEC

500 Park Boulevard, Suite 1100
Itasca, IL 60143
Telephone: (630) 467-3000